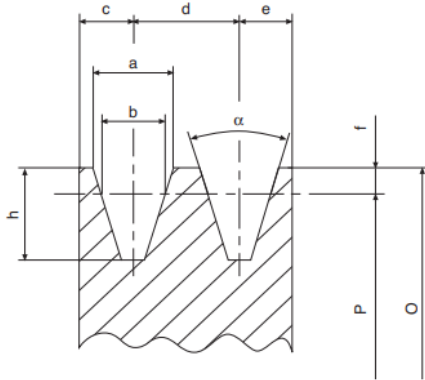


CAST IRON V-BELT PULLEY SPZ-1 ISO 4183 / DIN 2211-3



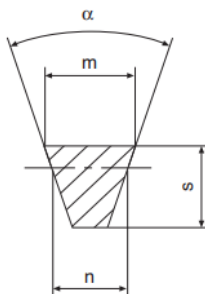
Calcolo della velocità periferica Vp in m/s
Calculation of peripheral speed Vp in m/s
Berechnung der Umfangsgeschwindigkeit Vp in m/s
Calcul de la vitesse périphérique Vp m/s
Cálculo de la velocidad periférica Vp en m/s

$$V_p = \frac{p \cdot P \cdot \text{rpm}}{60 \cdot 1000} @ \frac{P \cdot \text{rpm}}{19100} \quad V_p \leq 35 \text{ m/s}$$

P = Diametro primitivo in mm rpm = Giri al minuto
 Pitch diameter in mm Revolutions per minute
 Teildurchmesser in mm Umdrehungen pro Minute
 Diamètre primitif en mm Tours par minute
 Diámetro primitivo en mm Revoluciones por minuto

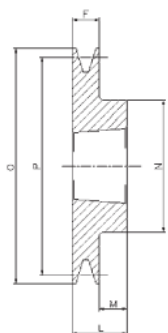
Dimensioni puleggia Pulley dimentionts Keilriemenschei- Dimensions poulie Dimensiones polea
benabmessungen

	a	b	c	d	e	f	h	34°	38°
SPZ	9,7	8,5	8,0	12,0	8,0	2,0	11,0	P <= 80	P > 80
SPA	12,7	11,0	10,0	15,0	10,0	2,8	13,8	P <= 118	P > 118
SPB	16,3	14,0	12,5	19,0	12,5	3,5	17,5	P <= 190	P > 190
SPC	22,0	19,0	17,0	25,5	17,0	4,8	23,8	P <= 315	P > 315

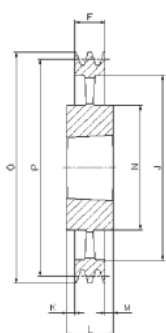


Dimensioni cinghia / Belt dimentionts / Riemenabmessungen
Dimensions courroie / Dimensiones correa

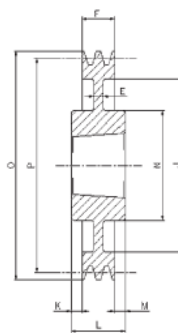
	m	s	n
SPZ	9,7	8	8,5
SPA	12,7	10	11,0
SPB	16,3	13	14,0
SPC	22,0	18	19,0



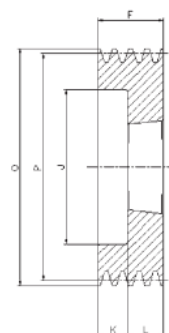
1



4



7



9

SPZ/1

Tipo Type Typ Type Tipo	Gole Grooves Rillen Gorges Canales	P	O	Forma Form Forme Forme Forma	Bussola Bush Buchse Moyeu Casquillo	∅ MAX	E	F	J	K	L	M	N
SPZ 50-01	1	50	54	9	1008	25	-	37	26	12,0	25	-	-
SPZ 56-01	1	56	60	9	1008	25	-	37	32	12,0	25	-	-
SPZ 60-01	1	60	64	1	1008	25	-	22	-	-	22	-	-
SPZ 63-01	1	63	67	1	1108	28	-	16	-	-	22	6,0	56
SPZ 67-01	1	67	71	1	1108	28	-	16	-	-	22	6,0	60
SPZ 71-01	1	71	75	1	1108	28	-	16	-	-	22	6,0	60
SPZ 75-01	1	75	79	1	1108	28	-	16	-	-	22	6,0	60
SPZ 80-01	1	80	84	1	1210	32	-	16	-	-	25	9,0	75
SPZ 85-01	1	85	89	1	1210	32	-	16	-	-	25	9,0	80
SPZ 90-01	1	90	94	1	1210	32	-	16	-	-	25	9,0	80
SPZ 95-01	1	95	99	1	1210	32	-	16	-	-	25	9,0	85
SPZ100-01	1	100	104	1	1210	32	-	16	-	-	25	9,0	85
SPZ106-01	1	106	110	1	1610	42	-	16	-	-	25	9,0	92
SPZ112-01	1	112	116	1	1610	42	-	16	-	-	25	9,0	92
SPZ118-01	1	118	122	1	1610	42	-	16	-	-	25	9,0	92
SPZ125-01	1	125	129	1	1610	42	-	16	-	-	25	9,0	92
SPZ132-01	1	132	136	1	1610	42	-	16	-	-	25	9,0	92
SPZ140-01	1	140	144	1	1610	42	-	16	-	-	25	9,0	92
SPZ150-01	1	150	154	1	1610	42	-	16	-	-	25	9,0	92
SPZ160-01	1	160	164	1	1610	42	-	16	-	-	25	9,0	92
SPZ170-01	1	170	174	1	1610	42	-	16	-	-	25	9,0	92
SPZ180-01	1	180	184	7	1610	42	6	16	152	-	25	9,0	92
SPZ190-01	1	190	194	7	1610	42	12	16	162	-	25	9,0	92
SPZ200-01	1	200	204	7	2012	50	10	16	171	-	32	16,0	112
SPZ224-01	1	224	228	7	2012	50	15	16	195	-	32	16,0	112
SPZ250-01	1	250	254	4	2012	50	-	16	221	8,0	32	8,0	112
SPZ280-01	1	280	284	4	2012	50	-	16	251	8,0	32	8,0	112
SPZ315-01	1	315	319	4	2012	50	-	16	286	8,0	32	8,0	112
SPZ355-01	1	355	359	4	2012	50	-	16	326	8,0	32	8,0	112
SPZ400-01	1	400	404	4	2012	50	-	16	371	8,0	32	8,0	112
SPZ450-01	1	450	454	4	2517	60	-	16	421	14,5	45	14,5	124