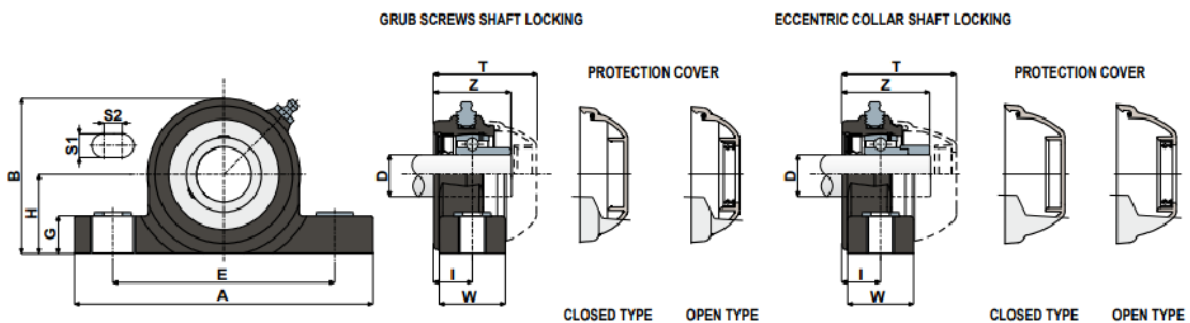


# PA-BLAUWE FL-LAGERUNITS- PA-BLUE FL-BEARING UNITS

RAL-5005 blauwe lagerunits worden geproduceerd van hoge kwaliteit glasvezelversterkt polyamide. Deze lagerunits kunnen worden ingezet in een corrosie rijke omgeving. Dankzij het hoogwaardige kunststof, wordt de levensduur verlengd ten opzichte van andere lagerunits. De UC lagerinsert bijdeze units is standaard verchromd staal. Op aanvraag ook in verschromd SA lagerinsert of RVS AISI440 UC lagerinsert leverbaar.

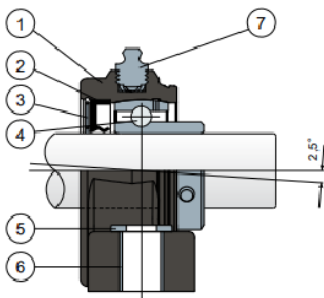


## GRUB SCREWS SHAFT LOCKING

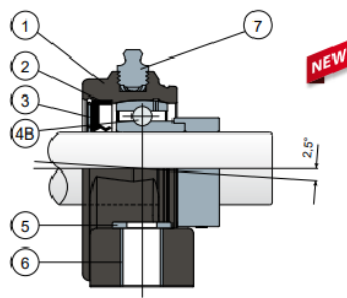
		CHROME STEEL BEARING													
D	SERIE	DIMENSIONS (mm)										Bearing load (N)		Bearing support load	
		E	A	S1	S2	G	H	B	I	W	Z	T	C	C0	(N)
20	UCP 204 CX	96	130	13	10	20	33,5	65,5	18	30	36	49	12800	6600	5750
25	UCP 205 CX	106	140	13	10	20	36,5	71,5	19,6	35	39	51,7	14000	7800	6900
30	UCP 206 CX	121	163	13	10	20	43	84,5	20,7	36	41,7	55,7	19500	11300	9200
35	UCP 207 CX	126	168	13	10	20	47,6	93,3	22,7	39	48	61,8	25500	15300	11500
40	UCP 208 CX	136	185	13	10	20	50	100	22,5	38,6	51,5	70,7	32500	19800	11500

- 1) Housing made out of black, white or blue Ral 5005 colour polyamide reinforced with glass fibers.
- 2) Back gasket made out of NBR rubber for turning shaft seal.
- 3) Safety ring in stainless steel AISI 304.
- 4) Chrome steel or stainless steel bearing AISI 440.
- 4B) Chrome steel bearing.
- 5) UNI 6592 support washer made out of stainless steel AISI 304.
- 6) Spacer for fixing reinforcement made out of stainless steel AISI 304.
- 7) Greaser, straight type with 1/8 gas thread, made out of nickel-plated brass.

Grub screws shaft locking - Without protection cover



Eccentric collar shaft locking - Without protection cover



**MATERIALS:** Housing is made out of PA + glass fiber in black, white or blue Ral 5005 colours; bearing with grub screws shaft locking in chrome steel or stainless steel; bearing with eccentric collar shaft locking in chrome steel; greaser made out of nickel plated brass; reinforcement bushings, washers and safety ring made out of stainless steel AISI 304; gaskets made out of NBR rubber; cover made out of polypropylene grey Ral 7042, blue Ral 5015, orange Ral 2004 or red Ral 3000 colour.