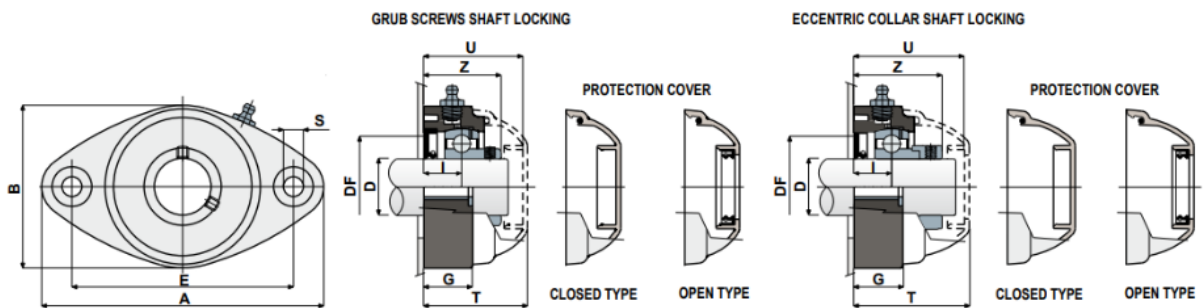


PA-BLAUWE FL-LAGERUNITS- PA-BLUE FL-BEARING UNITS

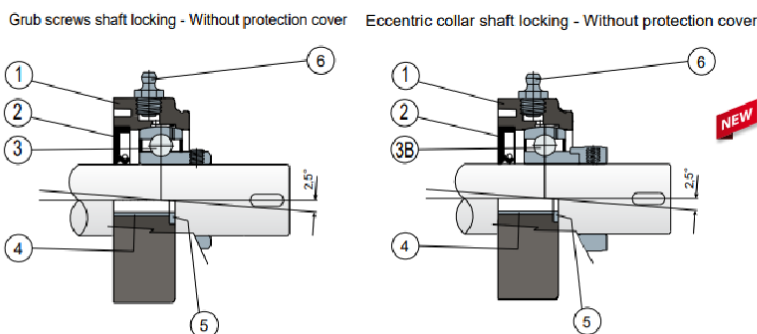
RAL-5005 blauwe lagerunits worden geproduceerd van hoge kwaliteit glasvezelversterkt polyamide. Deze lagerunits kunnen worden ingezet in een corrosie rijke omgeving. Dankzij het hoogwaardige kunststof, wordt de levensduur verlengd ten opzichte van andere lagerunits. De UC lagerinsert bijdeze units is standaard verchromd staal. Op aanvraag ook in verschromd SA lagerinsert of RVS AISI440 UC lagerinsert leverbaar.



GRUB SCREWS SHAFT LOCKING

D	SERIE	DIMENSIONS (mm)										Bearing load (N)		Bearing support load (N)	
		E	A	B	S	G	I	Z	U	T	DF		C		C0
											Max	Min			
20	UCFL 204 CX	90	118	64	10,5	19	15,5	33,5	44	46,5	45	40	12800	6600	8500
20	MUCFL 204 CX	90	122	86	10,5	19	16	34	44	46,5	45	40	12800	6600	8500
20	MUCFL 204 CX	76,5	100	70	10,5	11	15,5	33,5	44	46,5	45	40	12800	6600	8500
25	UCFL 205 CX	99	131	72	10,5	22	17	36	47	49	50	45	14000	7800	10000
25	MUCFL 205 CX	90	122	86	10,5	19	15,5	35	44	46,5	50	45	14000	7800	10000
30	UCFL 206 CX	117	149	86	10,5	26	20	41	54	56	60	50	19500	11300	13000
30	MUCFL 206 CX	90	122	86	10,5	19	13	35	52	54,5	60	50	19500	11300	13000
35	UCFL 207 CX	130	163	94	10,5	26	20	45	57	59	70	55	25500	15300	14000
35	MUCFL 207 CX	117	147	112	10,5	27	20	45,3	57	59,6	70	55	25500	15300	14000
40	UCFL 208 CX	144	172	100	10,5	27	19,5	48,5	65,5	71	78	65	32500	19800	15000
40	MUCFL 208 CX	117	147	112	10,5	27	19,5	48,5	65,5	68	78	65	32500	19800	15000

- 1) Housing made out of black, white or blue Ral 5005 colour polyamide reinforced with glass fibers.
- 2) Back gasket made out of NBR rubber for turning shaft seal.
- 3) Chrome steel or stainless steel bearing AISI 440.
- 3B) Chrome steel bearing.
- 4) Spacer for fixing reinforcement made out of stainless steel AISI 304.
- 5) UNI 6592 support washer made out of stainless steel AISI 304.
- 6) Greaser, straight type with 1/8 gas thread, made out of nickel-plated brass.



MATERIALS: Housing is made out of PA + glass fiber in black, white or blue Ral 5005 colours; bearing with grub screws shaft locking in chrome steel or stainless steel; bearing with eccentric collar shaft locking in chrome steel; greaser made out of nickel plated brass; reinforcement bushings and washers made out of stainless steel AISI 304; gaskets made out of NBR rubber; cover made out of polypropylene grey Ral 7042, blue Ral 5015, orange Ral 2004 or red Ral 3000 colour.