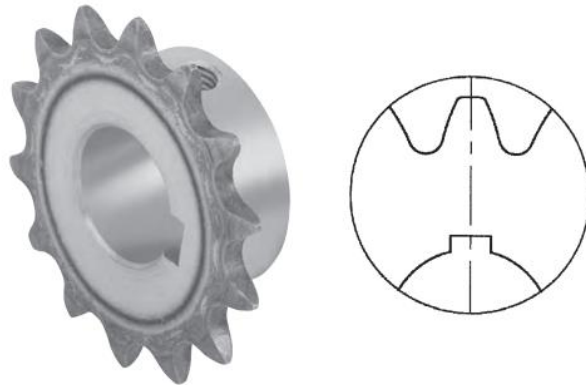


FINISHED BORED SPROCKETS HARDENED TEETH

DIN8187 - ISO/R 606


N.B.

Pignoni **temprati ad induzione** sui denti (45 ÷ 55 HRC).
 La sede linguetta è in asse con il dente.

N.B.

Sprockets have **induction hardened** teeth (45 ÷ 55 HRC).
 Keyway is located on center line of tooth.

N.B.

Verzahnung induktiv gehärtet (45 ÷ 55 HRC).
 Die Keilnut ist auf Zahnmitte ausgerichtet.

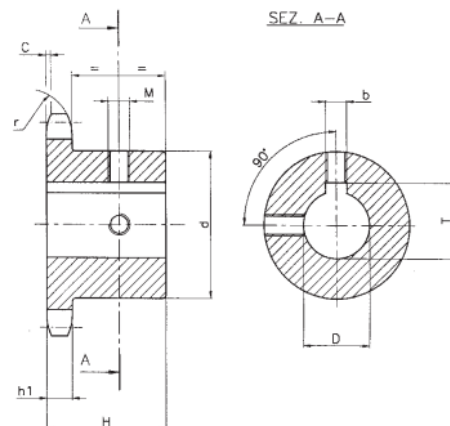
N.B.

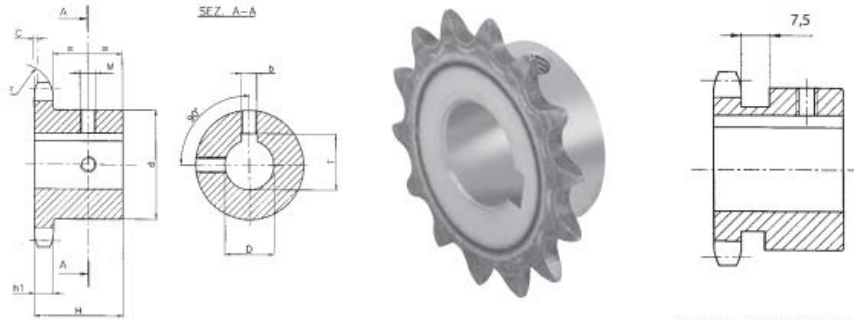
Pignons ont denture **traitée par induction** (45 ÷ 55 HRC).
 La rainure de clavette se trouve exactement en axe du dent.

N.B.

Piñones tienen dientes **templados por inducción** (45 ÷ 55 HRC).
 La claveta está exactamente en línea con el dente.

D (H7)	b (H9)	T		M
10	3	D + 1,4	(+0,1/0)	M3
11	4	D + 1,8	(+0,1/0)	M3
12	4	D + 1,8	(+0,1/0)	M3
14	5	D + 2,3	(+0,1/0)	M4
15	5	D + 2,3	(+0,1/0)	M4
16	5	D + 2,3	(+0,1/0)	M4
18	6	D + 2,8	(+0,1/0)	M5
19	6	D + 2,8	(+0,1/0)	M5
20	6	D + 2,8	(+0,1/0)	M5
22	6	D + 2,8	(+0,2/0)	M5
24	8	D + 3,3	(+0,2/0)	M6
25	8	D + 3,3	(+0,2/0)	M6
28	8	D + 3,3	(+0,2/0)	M6
30	8	D + 3,3	(+0,2/0)	M6
32	10	D + 3,3	(+0,2/0)	M8
35	10	D + 3,3	(+0,2/0)	M8
38	10	D + 3,3	(+0,2/0)	M8
40	12	D + 3,3	(+0,2/0)	M10
42	12	D + 3,3	(+0,2/0)	M10
45	14	D + 3,8	(+0,2/0)	M12
48	14	D + 3,8	(+0,2/0)	M12
50	14	D + 3,8	(+0,2/0)	M12
60	18	D + 4,4	(+0,2/0)	M12
65	18	D + 4,4	(+0,2/0)	M12
70	20	D + 4,9	(+0,2/0)	M12





3/4" x 7/16"

Versione (*) / Type (*) / Typ (*) / Tipo (*)

12B-1 19,05 x 11,68 mm

DIN 8187 ISO/R606

CATENA	CHAIN	KETTE	CHAÎNE	CADENA	ISO mm
Passo	Pitch	Teilung	Pas	Paso	19,05
Larghezza interna	Internal width	Innere Breite	Largeur interieure	Ancho interno	11,68
Rullo ø	Roller ø	Rollen ø	ø du rouleau	Rodillo ø	12,07

PIGNONE	SPROCKETS	KETTENRÄDER	PIGNONS	PIÑONES	
Raggio dente r	Tooth radius r	Radius r	Rayon de denture r	Radio diente r	r 19,0
Larghezza raggio C	Radius width C	Breite C	Largeur de rayon C	Ancho radio C	C 2,0
Largh. Dente h ₁	Tooth width h ₁	Zahnbreite h ₁	Larg. de denture h ₁	Ancho diente h ₁	h ₁ 11,1

b-T-M pag. / page 19

Materiale C45E
UNI EN 10083-1

Material C45E
UNI EN 10083-1

Werkstoff C45E
UNI EN 10083-1

Matière C45E
UNI EN 10083-1

Material C45E
UNI EN 10083-1

Cod.	Z	D	H	d	Cod.	Z	D	H	d	Cod.	Z	D	H	d	Cod.	Z	D	H	d
11SA910		19			11SA915		19			11SD019		40			11SD023		40		
11SB010		20		42	11SB015		20			11SD219		42			11SD223		42		
11SB410		24			11SB215		22			11SD519	19	45	35	80	11SD523	23	45	40	90
11SB510	10	25	30		11SB415		24			11SD819		48			11SD823		48		
11SB810		28		45	11SB515		25			11SE019		50			11SE023		50		
11SC010		30		47*	11SB815	15	28	35	70	11SB520		25			11SB524		25		
11SC210		32		49*	11SC015		30			11SB820		28			11SB824		28		
11SA911		19			11SC215		32			11SC020		30			11SC024		30		
11SB011		20		46	11SC515		35			11SC220		32			11SC224		32		
11SB411		24			11SC815		38			11SC520		35			11SC524		35		
11SB511	11	25	35		11SD015		40			11SC820	20	38	35	80	11SC824	24	38	40	90
11SB811		28		49	11SA916		19			11SD020		40			11SD024		40		
11SC011		30		51	11SB016		20			11SD220		42			11SD224		42		
11SC211		32		53*	11SB216		22			11SD520		45			11SD524		45		
11SA912		19			11SB416		24			11SD820		48			11SD824		48		
11SB012		20		52	11SB516		25			11SE020		50			11SE024		50		
11SB212		22			11SB816	16	28	35	75	11SB521		25			11SB525		25		
11SB412		24			11SC016		30			11SB821		28			11SB825		28		
11SB512	12	25	35		11SC216		32			11SC021		30			11SC025		30		
11SB812		28		53	11SC516		35			11SC221		32			11SC225		32		
11SC012		30		56	11SC816		38			11SC521		35			11SC525		35		
11SC212		32			11SD016		40			11SC821	21	38	40	90	11SC825	25	38	40	90
11SC512		35			11SB517		25			11SD021		40			11SD025		40		
11SA913		19			11SB817		28			11SD221		42			11SD225		42		
11SB013		20		58	11SC017		30			11SD521		45			11SD525		45		
11SB213		22			11SC217	17	32	35	80	11SD821		48			11SD825		48		
11SB413		24			11SC517		35			11SE021		50			11SE025		50		
11SB513		25		58	11SC817		38			11SB522		25							
11SB813	13	28	35		11SD017		40			11SB822		28							
11SC013		30			11SD217		42			11SC022		30							
11SC213		32			11SB518		25			11SC222		32							
11SC513		35			11SB818		28			11SC522		35							
11SC813		38			11SC018		30			11SC822	22	38	40	90					
11SA914		19			11SC218	18	32	35	80	11SD022		40							
11SB014		20		64	11SC518		35			11SD222		42							
11SB214		22			11SC818		38			11SD522		45							
11SB414		24			11SD018		40			11SD822		48							
11SB514		25			11SD218		42			11SE022		50							
11SB814	14	28	35		11SB519		25			11SB523		25							
11SC014		30			11SB819		28			11SB823		28							
11SC214		32			11SC019		30			11SC023		30							
11SC514		35			11SC219	19	32	35	80	11SC223	23	32	40	90					
11SC814		38			11SC519		35			11SC523		35							
11SD014		40		67	11SC819		38			11SC823		38							