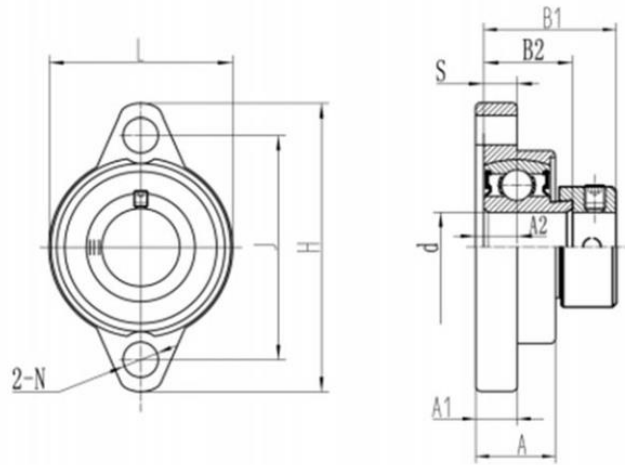


STAINLESS STEEL BEARING UNITS

SUFL000



Bearing Unit No.	Bore Dia	Dimensions (mm)										Bearing No.	Housing No.	Bolt Used
	d mm	H	J	A1	A2	A	N	L	B1	B2	S			
SUFL000	10	60	45	5.5	5.5	11.5	7	36	17.5	11	4	SU000	SFL000	M6
SUFL001	12	63	48	5.5	5.5	11.5	7	38	17.5	11	4	SU001	SFL001	M6
SUFL002	15	67	53	6.5	6.5	13	7	42	18.5	12	4.5	SU002	SFL002	M6
SUFL003	17	71	56	7	7	14	7	46	20.5	13.5	5	SU003	SFL003	M6
SUFL004	20	90	71	8	8	16	10	55	24.5	16.5	6	SU004	SFL004	M8
SUFL005	25	95	75	8	8	16	10	60	25.5	17.5	6	SU005	SFL005	M8
SUFL006	30	112	85	9	9	18	13	70	26.5	18.5	6.5	SU006	SFL006	M10
SUFL007	35	122	95	10	10	20	13	80	29.5	20	7	SU007	SFL007	M10