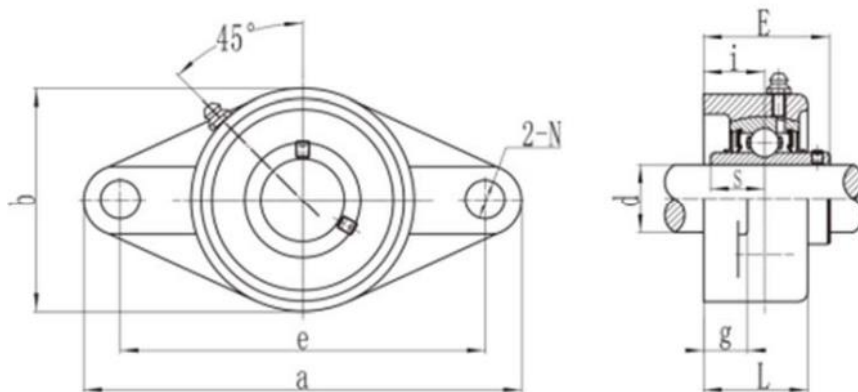


## RVS FL-LAGERHUIZEN- SS FL-BEARING HOUSINGS

TRADA RVS lagerhuizen worden geproduceerd van hoge kwaliteit RVS. RVS lagerhuizen kunnen worden ingezet in een corrosie rijke omgeving. Dankzij het hoogwaardige RVS, wordt de levensduur verlengd ten opzichte van andere lagers. Het RVS lagerinsert wordt geproduceerd met FM222 vet, wat de lagers voedselveilig maakt. Lagers zijn te gebruiken van -20°C tot +120°C.



Bearing Unit No.	Bore Di a		Dimensions (mm)									Bearing No.	Housing No.	Weight (kg)
	d		a	e	i	b	g	L	N	E	S			
	in	mm												
SUCFL201 SUCFL201-8 SUCFL202 SUCFL202-10 SUCFL203 SUCFL203-11	1/2	12	99	76.2	15	55	11	25.5	12	31	10	SUC201 SUC201-8 SUC202 SUC202-10 SUC203 SUC203-11	SFL203	0.56
SUCFL204 SUCFL204-12	5/8	15										SUC204 SUC204-12		
SUCFL205 SUCFL205-14 SUCFL205-15 SUCFL205-16	11/16	17	113	90	15	60	11	25.5	12	33.3	12.7	SUC205 SUC205-14 SUC205-15 SUC205-16	SFL204	0.52
SUCFL206 SUCFL206-17 SUCFL206-18 SUCFL206-19 SUCFL206-20	3/4	20										SUC206 SUC206-17 SUC206-18 SUC206-19 SUC206-20		
SUCFL207 SUCFL207-20 SUCFL207-21 SUCFL207-22 SUCFL207-23	7/8	25	130	99	16	68	13	27	16	35.8	14.3	SUC207 SUC207-20 SUC207-21 SUC207-22 SUC207-23	SFL205	0.64
SUCFL208 SUCFL208-24 SUCFL208-25	1-1/16	30										SUC208 SUC208-24 SUC208-25		
SUCFL209 SUCFL209-26 SUCFL209-27 SUCFL209-28	1-1/8	35	148	117	18	80	13	31	16	40.2	15.9	SUC209 SUC209-26 SUC209-27 SUC209-28	SFL206	0.93
SUCFL210 SUCFL210-29 SUCFL210-30 SUCFL210-31 SUCFL210-32	1-1/4	40										SUC210 SUC210-29 SUC210-30 SUC210-31 SUC210-32		
SUCFL211 SUCFL211-32 SUCFL211-33 SUCFL211-34 SUCFL211-35	1-5/16	45	161	130	19	90	15	34	16	44.4	17.5	SUC211 SUC211-32 SUC211-33 SUC211-34 SUC211-35	SFL207	1.20
SUCFL212 SUCFL212-36 SUCFL212-37 SUCFL212-38 SUCFL212-39	1-3/8	50										SUC212 SUC212-36 SUC212-37 SUC212-38 SUC212-39		
SUCFL213 SUCFL213-40 SUCFL213-41	1-7/8	55	175	144	21	100	15	36	16	51.2	19.0	SUC213 SUC213-40 SUC213-41	SFL208	1.59
SUCFL214 SUCFL214-42 SUCFL214-43 SUCFL214-44	1-9/16	60										SUC214 SUC214-42 SUC214-43 SUC214-44		
SUCFL215 SUCFL215-45 SUCFL215-46 SUCFL215-47 SUCFL215-48	1-5/8	65	188	148	22	108	16	38	19	52.2	19.0	SUC215 SUC215-45 SUC215-46 SUC215-47 SUC215-48	SFL209	1.84
SUCFL216 SUCFL216-50	1-11/16	70										SUC216 SUC216-50		
SUCFL217 SUCFL217-52	1-3/4	75	197	157	22	115	16	40	19	54.6	19.0	SUC217 SUC217-52	SFL210	2.15
SUCFL218 SUCFL218-56	2	80										SUC218 SUC218-56		
SUCFL219 SUCFL219-56	2-1/8	85	224	184	25	130	19	43	19	58.4	22.2	SUC219 SUC219-56	SFL211	3.10
SUCFL220 SUCFL220-56	2-1/8	90										SUC220 SUC220-56		
SUCFL221 SUCFL221-56	2-1/8	90	250	202	29	140	20	48	23	68.7	25.4	SUC221 SUC221-56	SFL212	3.99
SUCFL222 SUCFL222-56	2-1/8	90										SUC222 SUC222-56		
SUCFL223 SUCFL223-56	2-1/8	90	258	210	30	155	22	50	23	69.7	25.4	SUC223 SUC223-56	SFL213	4.96
SUCFL224 SUCFL224-56	2-1/8	90										SUC224 SUC224-56		
SUCFL225 SUCFL225-56	2-1/8	90	265	216	31	160	22	54	23	75.4	30.2	SUC225 SUC225-56	SFL214	5.60
SUCFL226 SUCFL226-56	2-1/8	90										SUC226 SUC226-56		
SUCFL227 SUCFL227-56	2-1/8	90	275	225	34	165	22	56	23	78.5	33.3	SUC227 SUC227-56	SFL215	6.21
SUCFL228 SUCFL228-56	2-1/8	90										SUC228 SUC228-56		
SUCFL229 SUCFL229-56	2-1/8	90	290	233	34	180	22	58	25	83.3	33.3	SUC229 SUC229-56	SFL216	7.69
SUCFL230 SUCFL230-56	2-1/8	90										SUC230 SUC230-56		
SUCFL231 SUCFL231-56	2-1/8	90	305	248	36	190	24	63	25	87.6	34.1	SUC231 SUC231-56	SFL217	9.15
SUCFL232 SUCFL232-56	2-1/8	90										SUC232 SUC232-56		
SUCFL233 SUCFL233-56	2-1/8	90	320	265	40	205	24	68	25	96.3	39.7	SUC233 SUC233-56	SFL218	10.95
SUCFL234 SUCFL234-56	2-1/8	90										SUC234 SUC234-56		